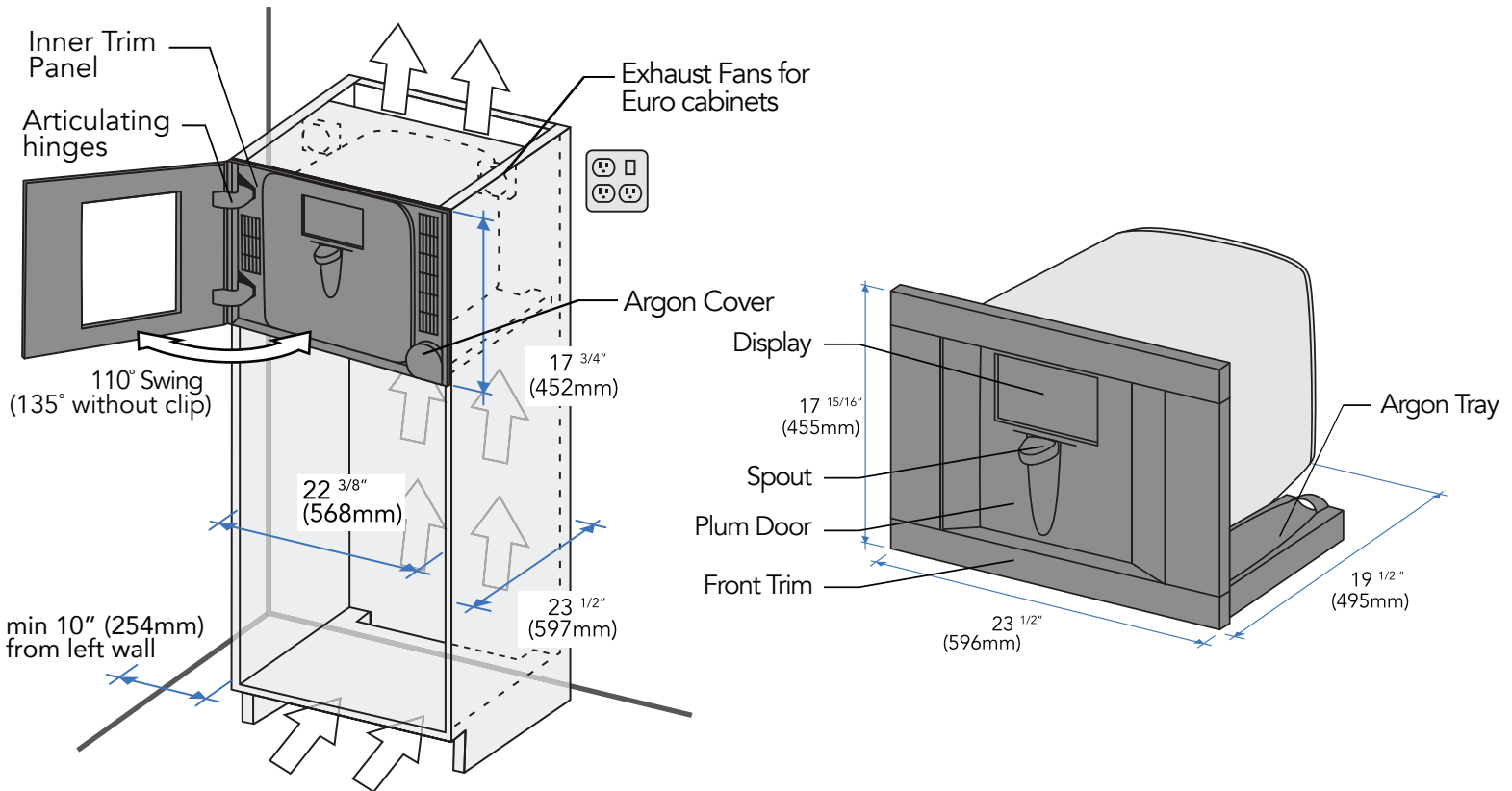


# PLUM

## Trim-Kit Spec



Left swing door opening only

Two quiet cooling chambers

Customized serving sizes

Up to 150 bottles of wine preservation

Silent Cooling

Wine recognition

Auto Cleaning

Argon Canister: Fully refillable canister  
 Bottle Size: 750mL, 11" - 13" lengths, up to 3.5" diameter  
 Capacity: 2 x 750mL Wine Bottles  
 Wine Temperature: 46°F to 68°F  
 Electrical: Line voltage: 100-240V AC  
 Frequency: 50Hz to 60Hz, single phase  
 Power: 300 Watts  
 Operating Temperature: 50° to 80° F (10° to 27° C)  
 Certifications: UL, CUL, FCC, IC